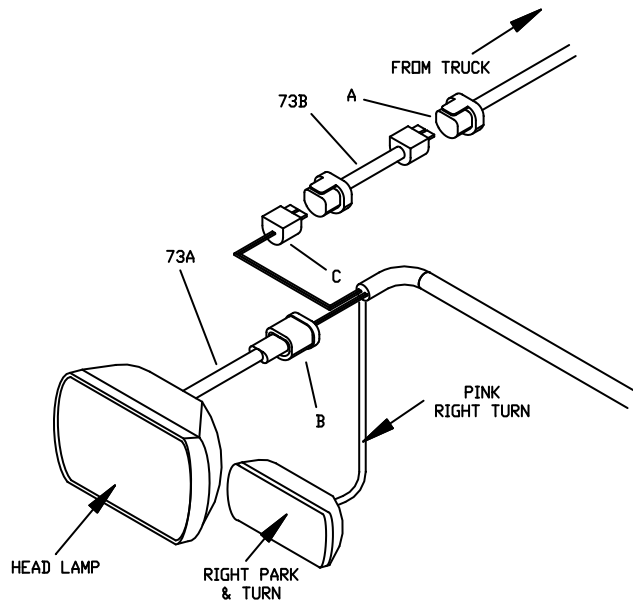


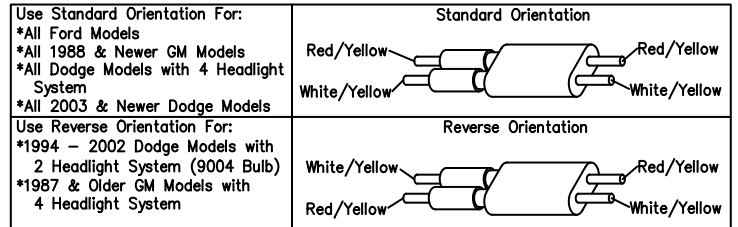
## MSC08839 Headlight Adapter Installation Procedure



**Figure 1.** Ford F150 Headlight Adapter Connections G10274

This installation Procedure is for 2004 & Newer Ford F150, 2005 & Newer Ford Super Duty, and 2006 & Newer Dodge ½, ¾, and 1 ton trucks.

1. Disconnect OEM Headlight Connector Plug (A) from the back of the vehicle headlight.
2. Connect one end of Headlight Adapter (73A) into the back of the vehicle headlight.
3. Connect end (B) of Headlight Adapter (73A) into the plow wiring harness.
4. Connect the Black Rubber Female Socket (C) of the plow wiring harness into Headlight Adapter (73B).
5. Connect Headlight Adapter (73B) into OEM Headlight Connector Plug (A).
6. Repeat Steps 1 through 5 for the opposite side headlight.



**Figure 2.** Vehicle Option Connector

G10202

7. Locate vehicle option connector. Align the connector so that the wire colors are positioned to match the vehicle it is installed on. This is illustrated in Figure 2.